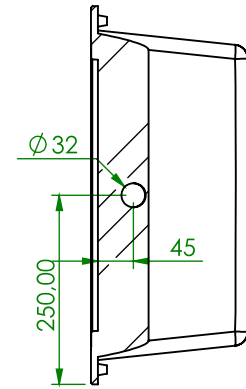
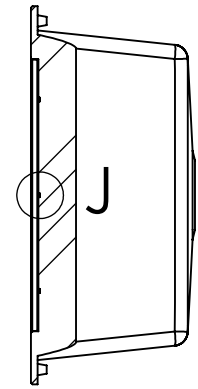


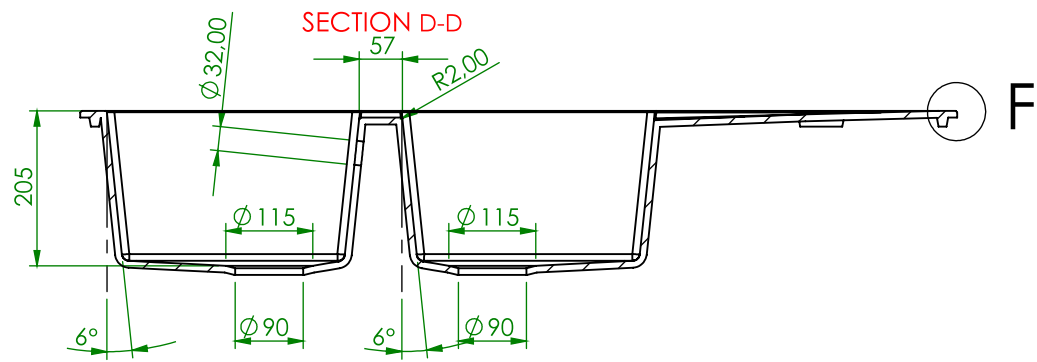
SECTION G-G



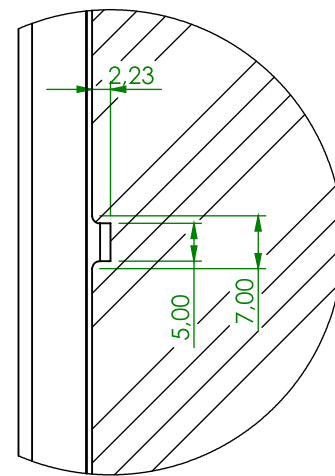
SECTION H-H



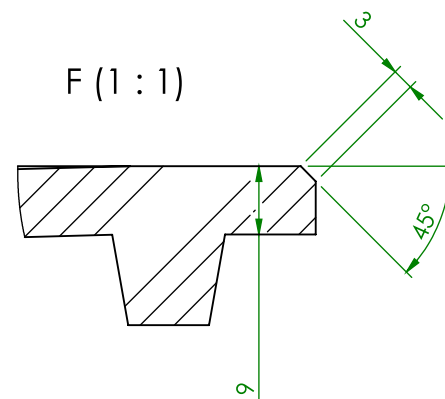
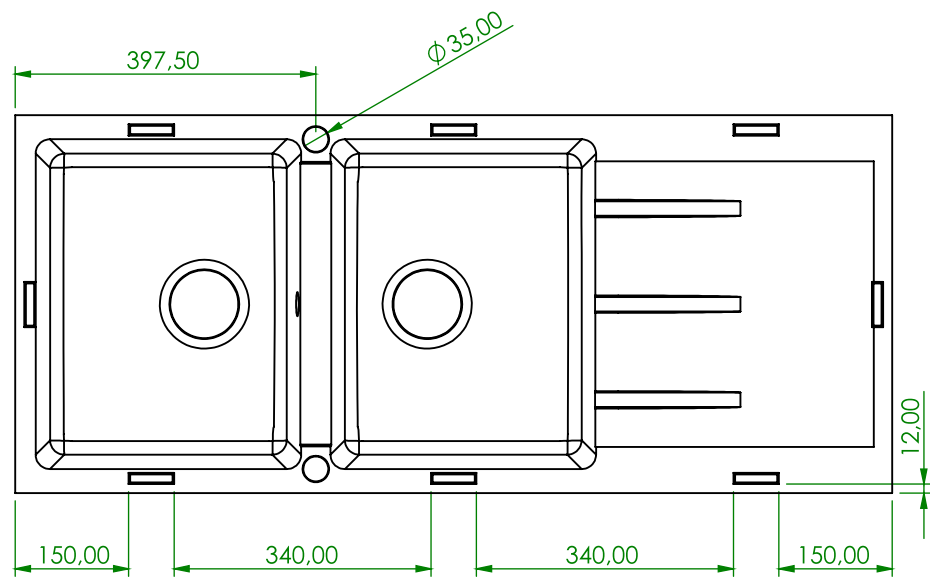
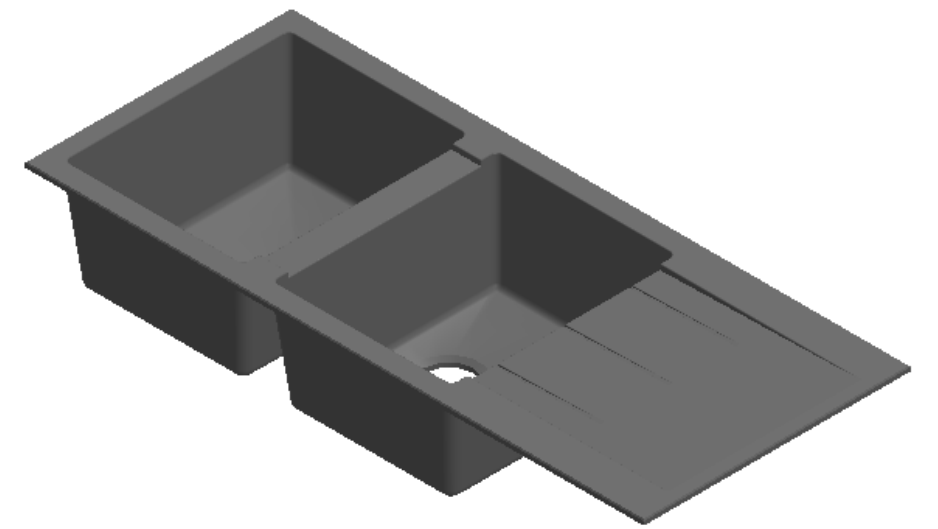
SECTION I-I



SECTION D-D



J (1:1)



F (1:1)

**AQUAPANNA**